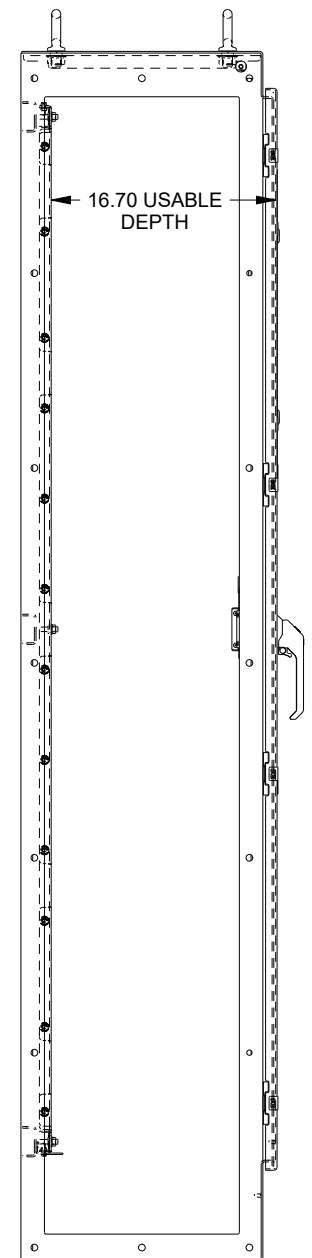
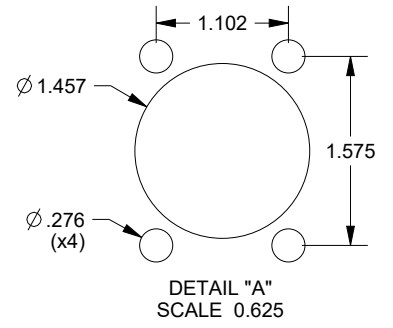
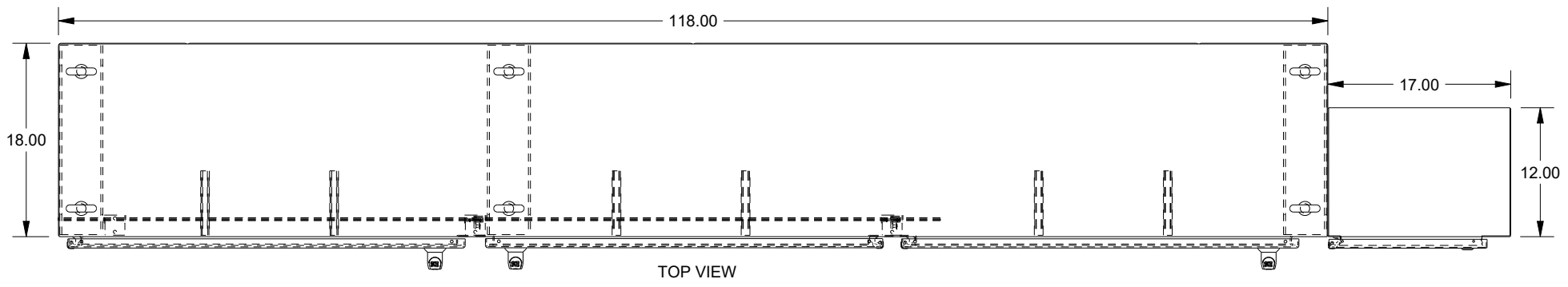
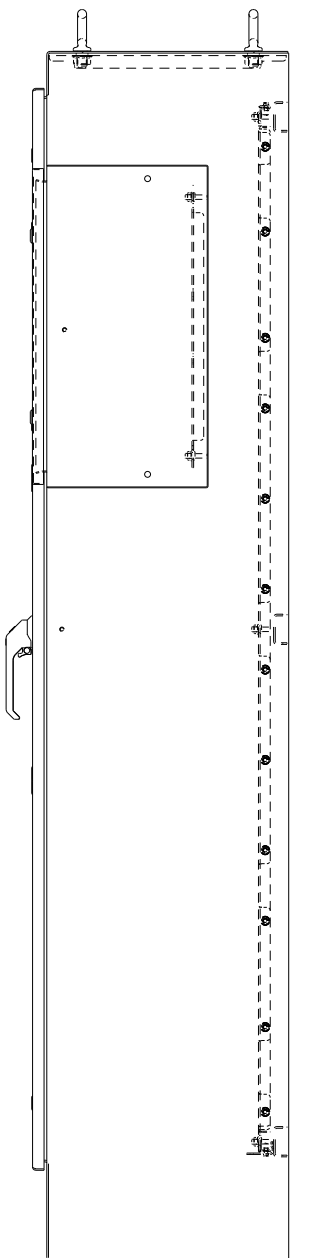
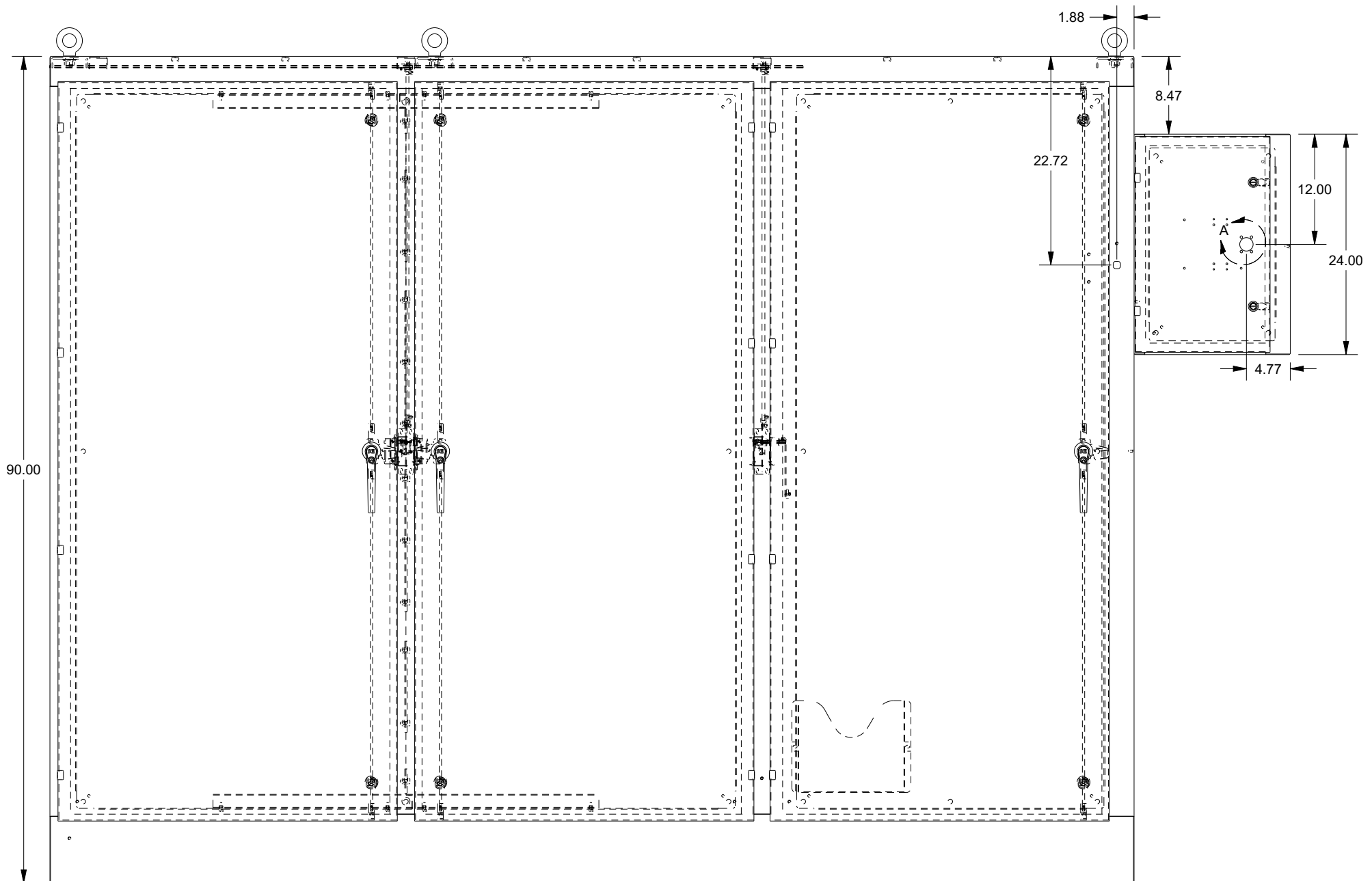


SAGINAW CONTROL & ENGINEERING

SCE-90XRR3D18G SHT.1 OF 2



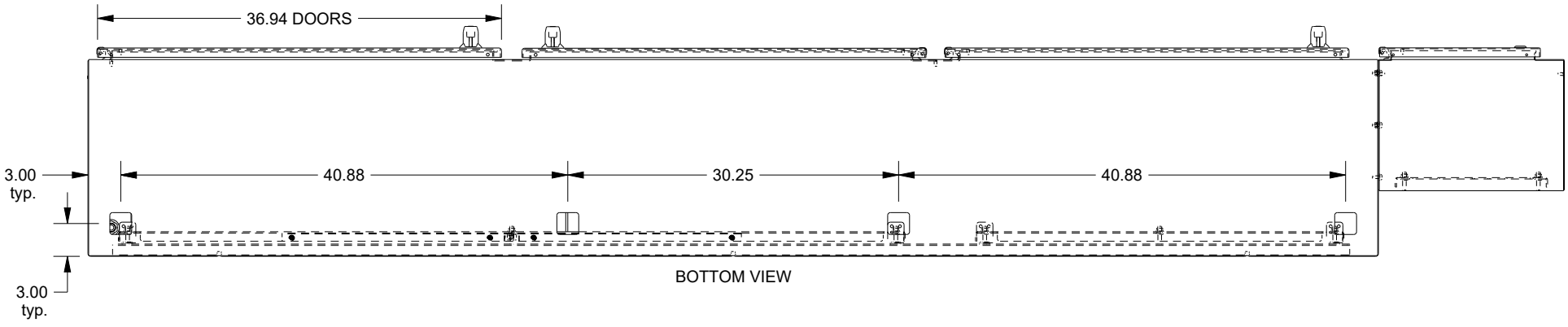
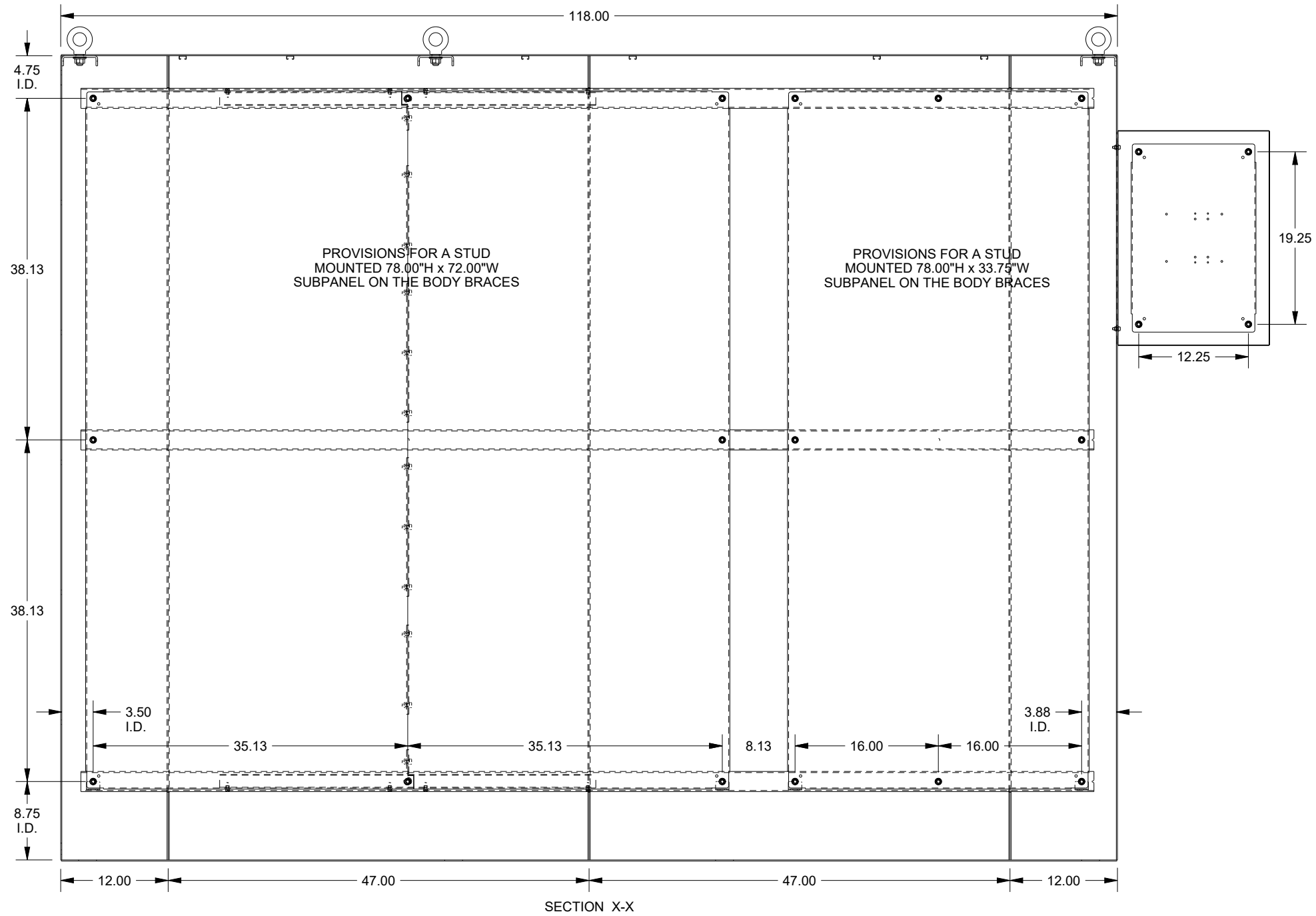
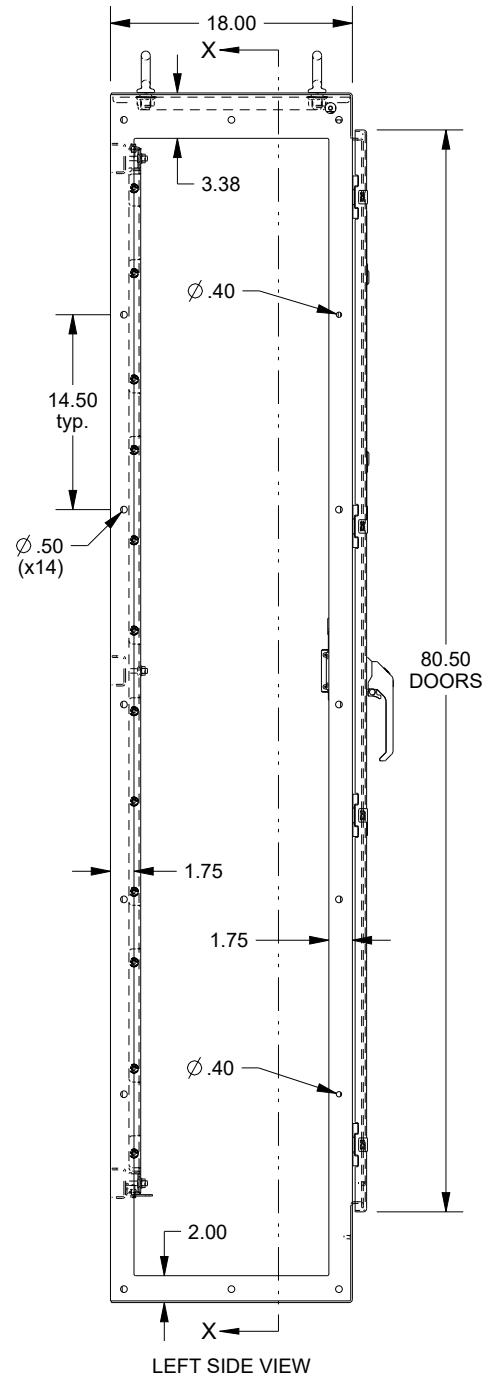
LEFT SIDE VIEW



RIGHT SIDE VIEW

SAGINAW CONTROL & ENGINEERING

SCE-90XRR3D18G SHT.2 OF 2



WASH SYSTEM 2" SQUARE DRAIN HOLES IN THE BOTTOM WITH UL APPROVED HOLE SEALS PROVIDED